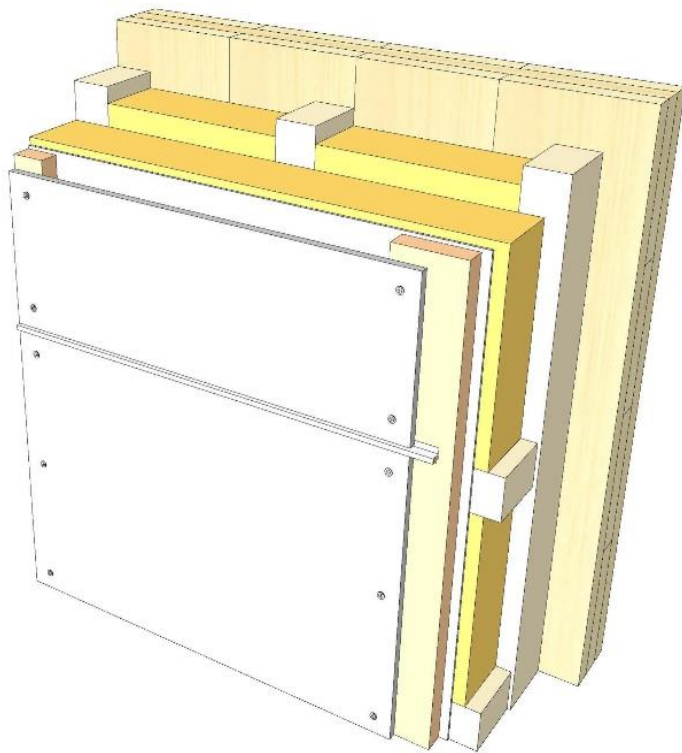
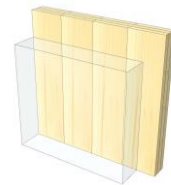


AW 02

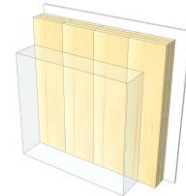
Ventilated facade panel



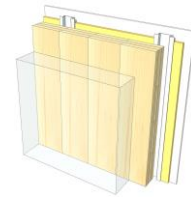
KLH® Visible



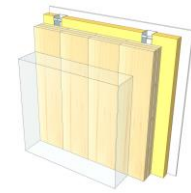
+ G



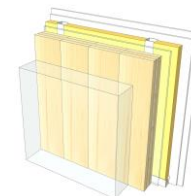
+ RP



+ FF



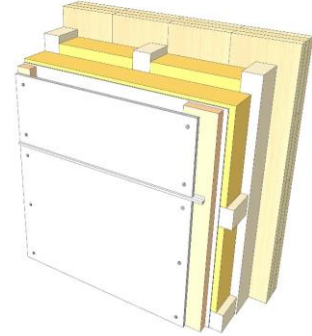
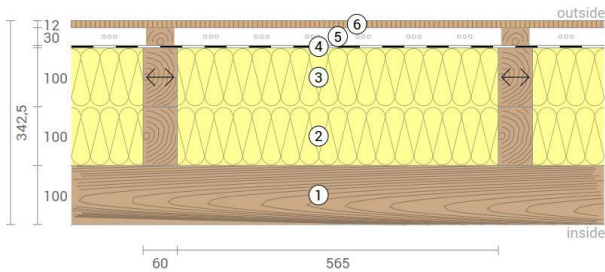
+ FF free / 2*G



	KLH® Visible	+ G	+ RP	+ FF	+ FF free / 2*G
Sound Rw [dB]	53	54	58	60	66
Thermal U [W/m²K]	0,17	0,17	0,16	0,14	0,14
Fire R*EI [min]	30	60	60	90	90
Thickness [mm]	343	355	382	418	428
Ecology [kg CO ₂ eq./m²]	-54	-51	-49	-45	-45

AW 02 V

Exterior wall / ventilated facade panel



No	mm	Material
1	100	KLH® - CLT
2	100	Timber batten, rock wool
3	100	Timber batten, rock wool
4	0,5	Wind barrier
5	30	Timber batten (spruce) vertical
6	12	Cement bonded chipboard

R*EI (fire attack on one side)	30 minutes
--------------------------------	-------------------

U-Value	0,17 W/(m²K)
---------	---------------------

Rw	53 (-2;-7) dB
----	----------------------

Thickness	343 mm
Mass per squaremeter	74 kg/m²

Global warming potential	-54 kg CO ₂ eq./m²
Primary energy (n. renewable)	132 kWh/m²

Link Ubakus
[AW 02 V Ubakus](#)

Link pre-dimensioning fire
[KLH REI 30](#)

Fire resistance
 R*EI
30

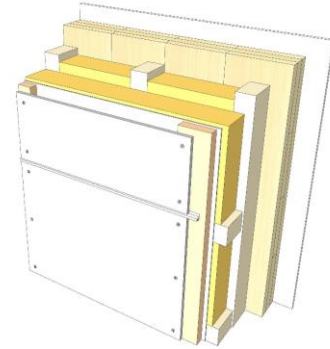
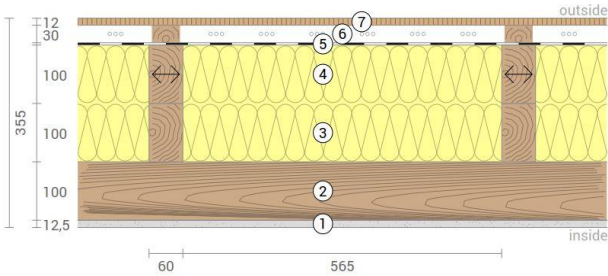
Thermal protection
 W/(m²K)
0,17

Sound insulation
 dB
53

Ecology
 kg CO₂eq./m²
-54

AW 02 G

Exterior wall / ventilated facade panel
Cladded



No	mm	Material
1	12,5	Gt-F board
2	100	KLH® - CLT
3	100	Timber batten, rock wool
4	100	Timber batten, rock wool
5	0,5	Wind barrier
6	30	Timber batten (spruce) vertical
7	12	Cement bonded chipboard

R*EI (fire attack on one side)
60 minutes

U-Value
0,17 W/(m²K)

Rw
54 (-2;-7) dB

Thickness	355 mm
Mass per squaremeter	84 kg/m²

Global warming potential	-51 kg CO ₂ eq./m²
Primary energy (n. renewable)	142 kWh/m²

Link Ubakus
[AW 02 G Ubakus](#)

Link pre-dimensioning fire
[KLH REI 60](#)

Fire resistance
R*EI
60

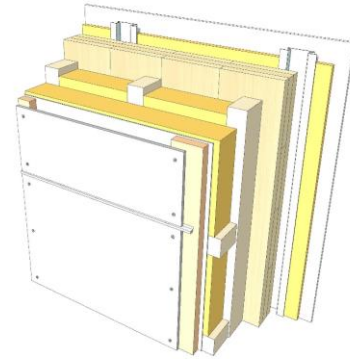
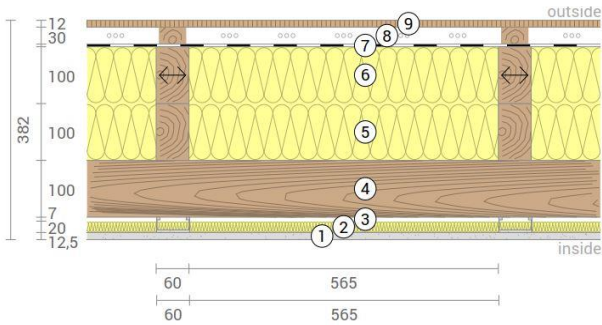
Thermal protection
W/(m²K)
0,17

Sound insulation
dB
54

Ecology
kg CO₂eq./m²
-51

AW 02 RP

Exterior wall / ventilated facade panel
Resilient profiles



No	mm	Material
1	12,5	Gt-F board
2	20	Mineral wool
3	27	Resilient profiles
4	100	KLH® - CLT
5	100	Timber batten, rock wool
6	100	Timber batten, rock wool
7	0,5	Wind barrier
8	30	Timber batten (spruce) vertical
9	12	Cement bonded chipboard

R*EI (fire attack on one side)
60 minutes

U-Value
0,16 W/(m²K)

Rw
58 (-4;10) dB

Thickness	382 mm
Mass per squaremeter	87 kg/m²

Global warming potential	-49 kg CO ₂ eq./m²
Primary energy (n. renewable)	157 kWh/m²

Link Ubakus
[AW 02 RP Ubakus](#)

Link pre-dimensioning fire
[KLH REI 60](#)


Fire resistance
R*EI
60




Thermal protection
W/(m²K)
0,16



Sound insulation
dB
58

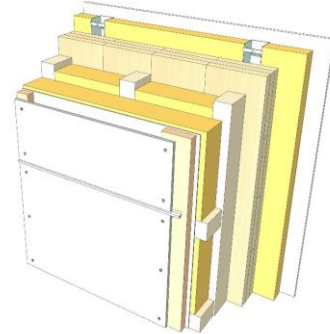
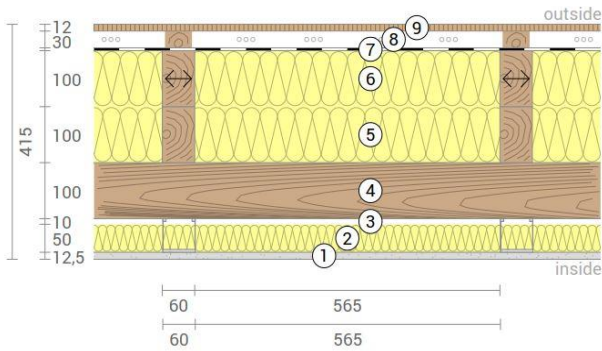


Ecology
kg CO₂ eq./m²
-49



AW 02 FF

Exterior wall / ventilated facade panel
Facing formwork



No	mm	Material
1	15	Gt-F board
2	50	Rock wool
3	60	CW-profile mounted elastically or free
4	100	KLH® - CLT
5	100	Timber batten, rock wool
6	100	Timber batten, rock wool
7	0,5	Wind barrier
8	30	Timber batten (spruce) vertical
9	12	Cement bonded chipboard

R*EI (fire attack on one side)
90 minutes

U-Value
0,14 W/(m²K)

Rw
60 (-4;10) dB

Thickness	418 mm
Mass per squaremeter	91 kg/m²

Global warming potential	-45 kg CO ₂ eq./m²
Primary energy (n. renewable)	170 kWh/m²

Link Ubakus
[AW 02 FF Ubakus](#)

Link pre-dimensioning fire
[KLH REI 90](#)

Fire resistance
R*EI
90

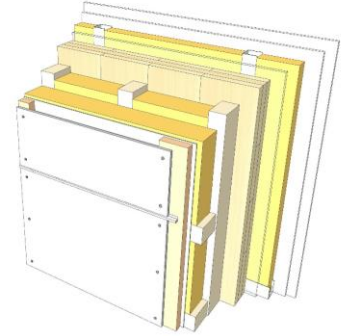
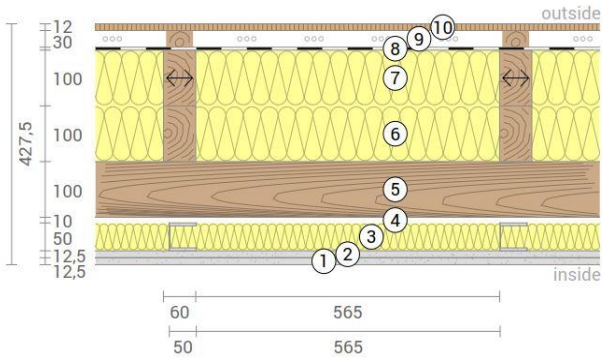
Thermal protection
W/(m²K)
0,14

Sound insulation
dB
60

Ecology
kg CO₂eq./m²
-45

AW 02 FF2

Exterior wall / ventilated facade panel
Self-supporting formwork



No	mm	Material
1	12,5	Gt-F board
2	12,5	Gt-F board
3	50	CW-profile self-supporting, rock wool
4	10	Air gap
5	100	KLH® - CLT
6	100	Timber batten, rock wool
7	100	Timber batten, rock wool
8	0,5	Wind barrier
9	30	Timber batten (spruce) vertical
10	12	Cement bonded chipboard

R*EI (fire attack on one side)
90 minutes

U-Value
0,14 W/(m²K)

Rw
66 (-4;-10) dB

Thickness
428 mm

Mass per squaremeter
98 kg/m²

Global warming potential
-45 kg CO₂ eq./m²

Primary energy (n. renewable)
173 kWh/m²

Link Ubakus
[AW 02 FF2 Ubakus](#)

Link pre-dimensioning fire
[KLH REI 90](#)

Fire resistance
R*EI
90

Thermal protection
W/(m²K)
0,14

Sound insulation
dB
66

Ecology
kg CO₂ eq./m²
-45